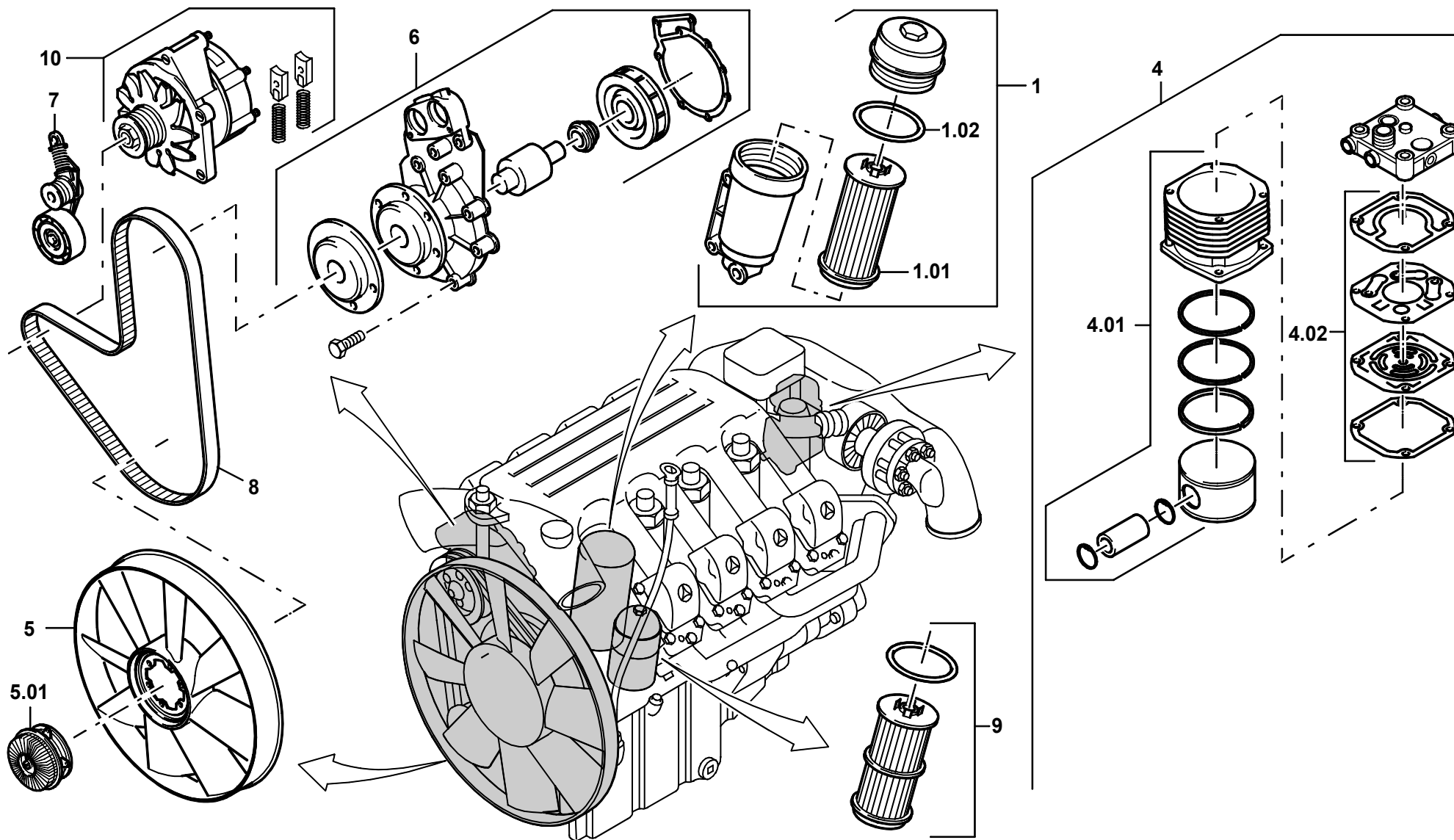


GROVEDIESELMOTOR
DIESEL ENGINEBILDТАFEL
PICTORIAL DISPLAY

05.02

3054022-ETL B

1/2

GMK 5100
BE 511
G 631

GROVEDIESELMOTOR
DIESEL ENGINEBILDТАFEL
PICTORIAL DISPLAY

05.02

3054022-ETL B

2/2

GMK 5100
BE 511
G 631